



ASTEEL
GROUP

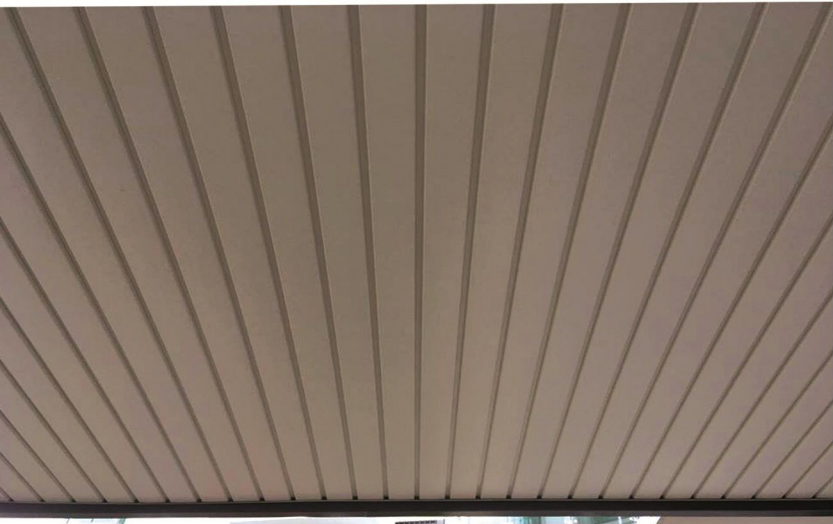
STRIP PANEL CCP-100



The extensive range and versatile design of ASTEEL Interior and Exterior Linear Ceilings offers numerous possibilities for creative design. A number of Aluminium-Zinc or Aluminium Coated Steel linear styles are available in a range of colours using the ENVIOSERIES coating system. The ability to curve and contour ASTEEL Linear Ceilings has made the range a favourite with architects and designers around the world.

LINEAR CEILING

Classic metal strip ceilings include tile ceilings, exterior soffit ceilings, acoustical ceilings, open cell, and many more. All feature up to 95% recycled content. Solutions for nearly any application, including hotel ceilings, commercial ceilings, and hospital ceilings. Leading technical/ design support, customization and CAD services.



DESIGN FLEXIBILITY

ASTEEL Linear Ceilings can be specified in both an open and closed style in many pre-finished colours. The Concealed Fastened System can accommodate even the most ingenious of ceiling designs. The range can be customised to fully integrate with the interior and exterior of building architecture.

MATERIAL

Zinc / Aluminium Coated Steel.



ENVIRONMENTAL BENEFIT

ENVIOSERIES steel is recyclable and made up of 70% to 90% recycled content.

COLOURS & FINISHES

A range of standard and customised colours and smooth or texture finishes, using the ENVIOSERIES coating system.

QUALITY

ASTEEL ceiling comply with major building standards and come with 25 years warranty.



DESIGN
FLEXIBILITY



TERMITE
PROOF



WARRANTY



RECYCLING



IMPROVED
COATING



DURABILITY



THERMAL
EFFICIENCY



ASTEEL GROUP
PRODUCT

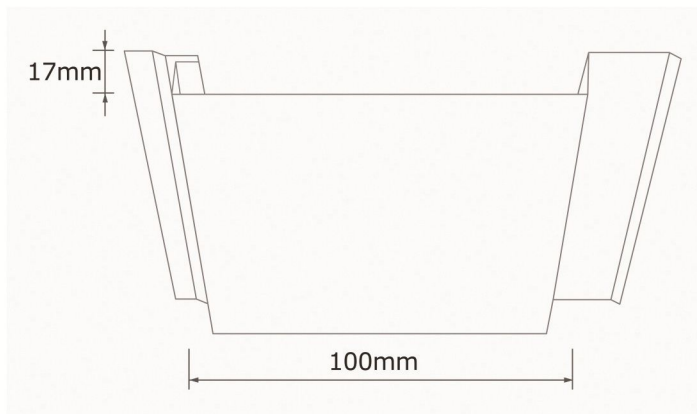
APPLICATIONS

- Functional and curved feature ceilings.
- Visual linear overhead screen.
- Interior linear ceilings are available for effective acoustic performance.
- Interior and exterior.
- New developments or existing buildings.

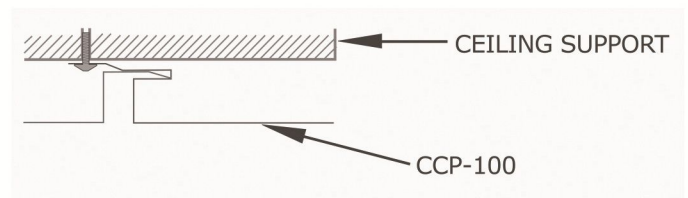
ADVANTAGES

- Extensive range of linear ceiling panel profiles and widths in a full range of interior and exterior colours and finishes for wide choice and colour matching.
- Various undulating ceilings and curved ceiling panels offer exciting design opportunities.
- Accessibility: ASTEEL® Linear Ceiling Systems can be easily mounted and demounted, allowing full access to above-ceiling services. Integration of services: lighting, air conditioning and other services can be easily integrated into the ASTEEL® Linear Ceiling Systems.

INSTALLATION METHOD



Panel	CCP-100
Thickness	0.48mm TCT
Maximum Span	1200mm
Weight	6.6kg/m ²



SKY WHITE



LIGHT GREY



GRAVEL

Note: The colours shown in this brochure are as close to the actual colour, however, please check the chosen colours against the actual sample of products before purchasing.

OUR MATERIAL BRAND

GALUZINC
Silvery Trendy Steel

envioPRIMS
Prefinished Steel

envioTEX
Sheer Textured Steel

ASTEEL SDN. BHD. (393042-D)

KUCHING
OFFICE & FACTORY
Lot 712, Block 7, Demak Laut Industrial Park,
93050 Kuching, Sarawak, Malaysia.
Tel: 082- 433888 Fax: 082- 433833

MUKAH
OFFICE & FACTORY
Sublot 6&7, Lot 1114&1115, Seng Ling Industrial Estate,
Jalan Bedanga, 96400, Mukah, Sarawak.
Tel: 016-7020 149

BINTULU
OFFICE & FACTORY
Lot 10110, Block 32, Kemena Land District,
Mile 6, Jalan Bintulu/ Sibul, 97000 Bintulu, Sarawak.
Tel: 086- 339648 Fax: 086- 315648

MIRI
OFFICE & FACTORY
Lot 7900, D/Lot 872 Block 5, Kuala Baram Land District,
98000, Miri, Sarawak, Malaysia.
Tel: 085- 651925 Fax: 085- 651925

This brochure must not be reproduced or transmitted in any form either electronic, mechanical, photocopying, recording or otherwise without consent from ASTEEL Sdn. Bhd.

DISTRIBUTOR: